

# PPC-18FN (Advantix - powered by Fastwel)

## Intel® Atom™ Dual Core D2550 Fanless Low-Power 18.5" Panel PC



### Features

- CPU: Intel® Atom™ Dual Core D2550 (1.86 GHz, 1 MB cache);
- Chipset: Intel® NM10;
- RAM: 1 – 4GB, 1 x module DDR3 1066/1333, non ECC;
- Protection: aluminum front panel, IP65;
- Screen: 18.5", resolution: 1366 x 768 (widescreen, aspect ratio 16:9), luminance: 300 cd/m<sup>2</sup>, contrast ratio: 1000:1;
- Network: 2 x Ethernet 10/100/1000 Intel® 82574L controllers, each on the PCI-E x1 bus;
- Op. temperature: +5°C~+50°C (w/SSD), +5°C~+40°C (w/HDD);
- Power supply: 12-24V DC;
- OS compatibility: Microsoft Windows XP Embedded, Windows 7 (32 bit);

### Overview

PPC-18FN (Advantix – powered by Fastwel) Intel® Atom™ Dual Core D2550 Fanless Low-Power 18.5" Panel PC is equipped with a 18.5" resistive touchscreen with resolution of 1366x768 and is characterized by a stylish industrial design, MultiTouch support and aluminum front panel with IP65 protection.

### Technical Specifications

#### CPU

- Intel® Atom™ Dual Core D2550 (1.86 GHz, 1 MB cache), with HyperThreading support;

#### Chipset

- Intel® NM10;

#### RAM

- 1 – 4GB, 1 x module DDR3 1066/1333, non ECC;

#### Screen

- 18.5", resolution: 1366 x 768 (widescreen, aspect ratio 16:9), with resistive touchscreen, MultiTouch support, luminance: 300 cd/m<sup>2</sup>, contrast ratio: 1000:1;

#### Expansion slots

- No;

#### Disk subsystem

- 1 x bay for 2.5" HDD/SSD SATA, easy access from rear panel;
- 1 x external bay for CF (closed with a cover);

#### Network

- 2 x Ethernet 10/100/1000 Intel® 82574L controllers, each on the PCI-E x1 bus;

#### Audio

- 2-channel, Realtek® HD Audio;

#### Ports

- 4 x USB 2.0;
- 1 x DVI-I;
- 2 x LAN (RJ-45);
- 2 x COM (RS-232/422/485);

There are other additional expansion options (see below);

#### Watchdog

- programmable;

#### Power supply

- 12-24V DC;

#### Cooling

- Convection, passive;

#### Operating temperature range

- from +5°C ~ +50°C (with SSD), +5°C ~ +40°C (with HDD);

#### Storage temperature

- from -20°C to +60°C;

#### Dimensions

- 57.7 (D) \* 467 (W) \* 293 (H);

#### Weight

- 6.5 kg;

#### Version design

- Aluminum housing, connector for VESA mount;

#### Protection

- IP65 for the front panel, IP20 for the rear panel;

#### OS compatibility

- Microsoft Windows XP Embedded;
- Windows 7 (32 bit);

#### Delivery checklist

- Phoenix female connector, wall mounting kit (option);

#### Warranty

- 2 years;

# PPC-18FN (Advantix - powered by Fastwel) Intel® Atom™ Dual Core D2550 Fanless Low-Power 18.5" Panel PC

## Layout

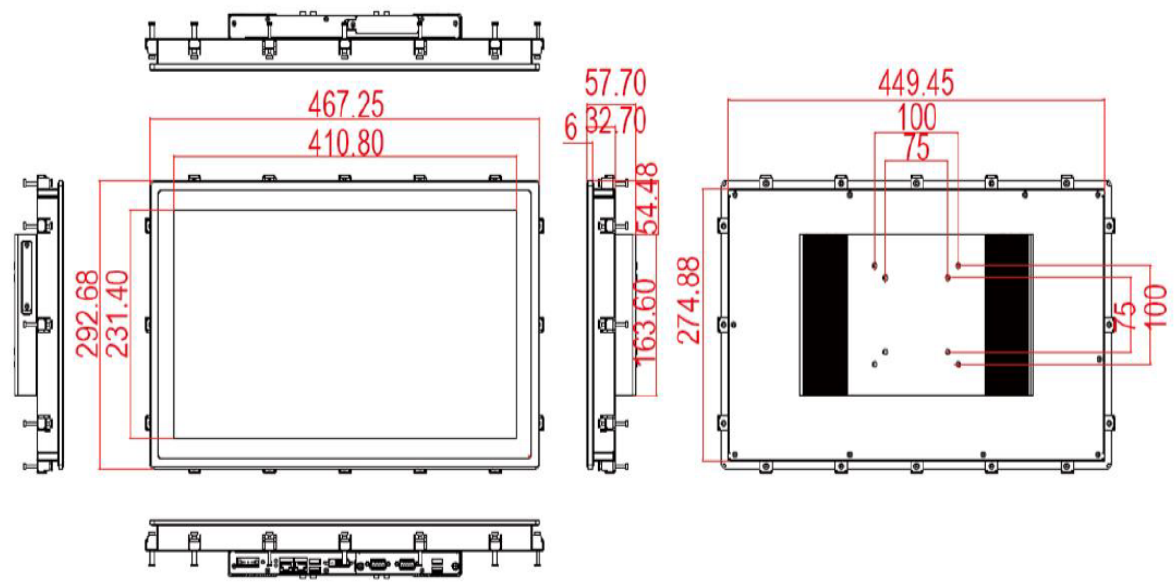
### PPC-18FN (Advantix – powered by Fastwel)



Expansion ports



Replaceable expansion options



# PPC-18FN (Advantix - powered by Fastwel)

## Intel® Atom™ Dual Core D2550 Fanless Low-Power 18.5" Panel PC

### Ordering information

### PPC-18FN (Advantix - powered by Fastwel) Configuration

#### PPC-18FN \ Options

##### Configurations

<b>PPC-18FN</b>	18.5" Fanless Panel PC / Atom D2550 1.86GHz / 4GB DDR3 / 500GB HDD;
<b>PPC-18FN</b>	18.5" Fanless Panel PC / Atom D2550 1.86GHz / 4GB DDR3 / 120GB SSD;
<b>96PSA-A65W19P2-2</b>	External power supply unit 19V DC, 100-240V, 65W;
<b>PC-186-ML12</b>	3-pin 1.8m power cable;

##### Expansion options



2 x USB  
2 x RS-232/422/485  
**(included into the basic version)**



2 x USB  
1 x Line-out  
1 x RS-232/422/485



1 x RS-232  
2 x RS-232/422/485

##### Delivery checklist

**PPC-18FN (Advantix - powered by Fastwel) delivery checklist contains:**

1. PPC-18FN (Advantix – powered by Fastwel) Fanless 18.5" Panel PC
2. Phoenix female connector, wall mounting kit (option)
3. Packaging.

Ver.1.06.2020

Product specifications are subject to change without notice

### Corporate offices

#### FASTWEL GROUP Co., Ltd

108 Profsoyuznaya str.  
Moscow, Russia 117437  
Tel: +7 (495) 232-1681  
Fax: +7 (495) 232-1654  
E-mail: info@fastwel.com  
Web: www.fastwel.com



Fastwel



Fastwel



Fastwel