

BRPD01

Data Registration and Transfer Unit



Features

- CPU Intel Pineview-M (-D) 1.66 GHz Dual Core (D510)
- RAM 1 GB, soldered
- Flash Drive: 4 GB NAND, soldered
- CFAST SATA DISK slot (up to 256 GB)
- GPS\GLONASS
- GSM\GPRS
- Wi-Fi 802.11 a/b/g/n
- Support of 6 independent CAN2.0 channels or 2 MVB channels
- RS-485
- 3×Ethernet M12 10\100
- Output of graphics data to LVDS or VGA panel
- Conductive cooling
- Uninterruptible power supply with system support for 2 minutes
- 8×Digital LED
- Supported OS: FREEDOS 6.22, Windows XPe, CE 5.0, Linux 2.6
- Operating temperature range: -40°C to +80°C

Overview

BRPD01 is designed for determining locomotive's geographic position using GLONASS and GPS navigations systems, logging of data related to locomotive operation, wireless transfer of diagnostics information over GSM and Wi-Fi channels and should provide:

- Data acquisition via wire and wireless interfaces;
- Data transfer via wire and wireless interfaces;
- Processing of the received information using computing environment of the system;
- Storing information on portable data storage devices;
- Monitoring of external factors, supported by system sensors.

BRPD01-01 is designed for data exchange using Multifunctional Vehicle Bus (MVB). The device also enables registration of data regarding locomotive operation, transfer of diagnostics information and should provide:

- Data acquisition via wire interfaces;
- Data transfer via wire interfaces;
- Processing of the received information using computing environment of the system;
- Storing information on portable data storage devices;
- Monitoring of external factors with system sensors support.

Technical Specifications

System

- CPU Intel Pineview-M (-D) 1.66 GHz Dual Core (D510)
- RAM 1 GB, soldered
- Flash Drive: 4 GB NAND, soldered
- CFAST SATA DISK slot (up to 256GB)

Interfaces

- GPS\GLONASS (except for BRPD01-01)
- GSM\GPRS (except for BRPD01-01)
- Wi-Fi 802.11 a/b/g/n (except for BRPD01-01)
- Support of 6 independent CAN2.0 channels or 2 MVB channels
- RS-485
- 3×Ethernet M12 10\100
- Output of graphics data to LVDS or VGA panel

Mechanical

- Dimensions of the unit should not exceed (Width x Height x Depth)
BRPD01: 300×200×140 mm
- Conductive cooling
- 8×Digital LED

OS Compatibility

- Supported OS:
FREEDOS 6.22, Windows XPe, CE 5.0, Linux 2.6.

Power Supply

- Uninterruptible power supply with system support for 2 minutes

Environmental

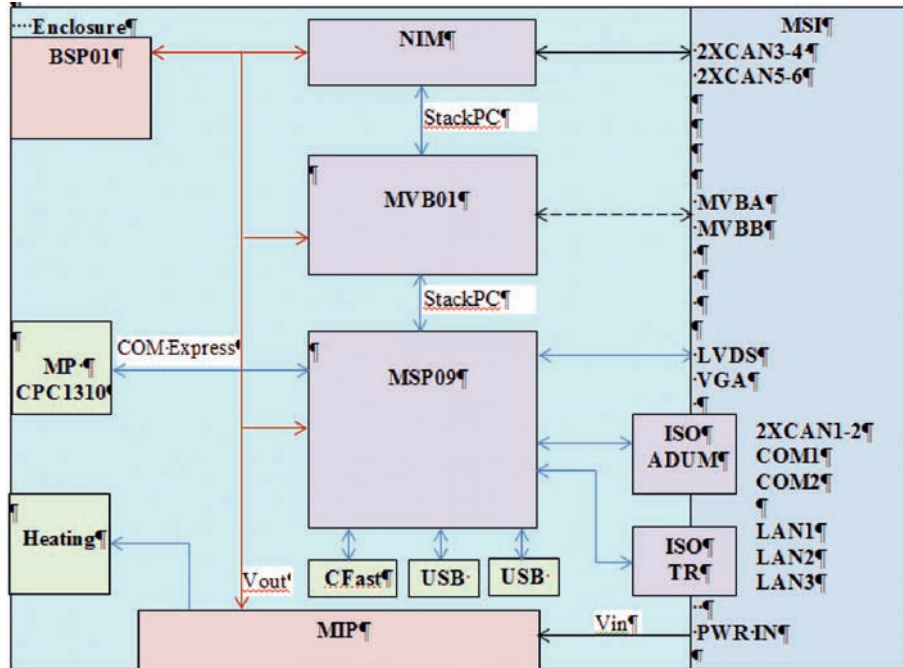
- Operating temperature range:
-40°C to +80°C

BRPD01

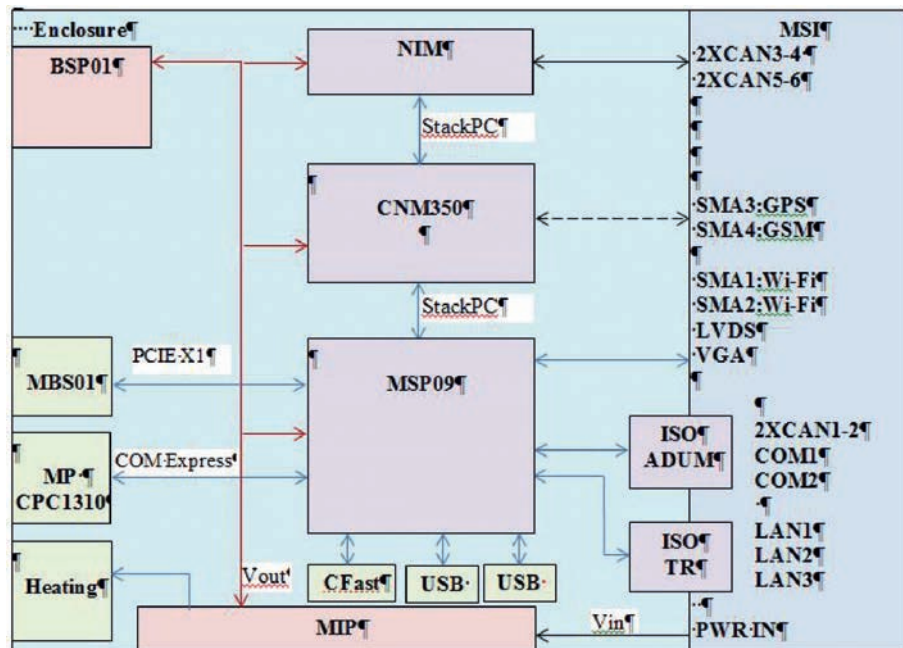
Data Registration and Transfer Unit

Block Diagram

BRPDO



BRPD01-01



BRPD01

Data Registration and Transfer Unit

Ordering Information

BRPD01 Configuration

BRPD01 - 01 \Options

Versions

BRPD01	CPU Intel Pineview-M (-D) 1.66 GHz Dual Core (D510), RAM 1 GB soldered, NAND Flash 4 GB soldered, CFAST SATA DISK slot (up to 256 GB), GPS\GLONASS, GSM\GPRS, Wi-Fi 802.11 a/b/g/n
BRPD01-01	CPU Intel Pineview-M (-D) 1.66 GHz Dual Core (D510), RAM 1 GB soldered, NAND Flash 4 GB soldered, CFAST SATA DISK slot (up to 256 GB)

Options

\Coated	Conformal coating
---------	-------------------

Delivery checklist

BRPD01 delivery checklist contains:

1. BRPD01/BRPD01-01 Data Registration and Transfer Unit
2. Package

Ver.1.03.2014

Product specifications are subject to change without notice

Corporate Offices

FASTWEL GROUP Co. Ltd

108 Profsoyuznaya str.
Moscow, Russia 117437
Tel: +7 (495) 232-1681
Fax: +7 (495) 232-1654
E-mail: info@fastwel.com
Web: www.fastwel.com

FASTWEL Corporation US

Fastwel Corporation US
6108 Avenida Encinas,
Suite B, Carlsbad,
CA 92011.
Phone: 858-488-3663
E-mail: info@fastwel.com



ISO 9001:2008
EC.C.0.02.01.000823-12

READY FOR



RoHS



Fastwel



Fastwel



Fastwel