



Features

- CPU: AMD Geode LX800, 500 MHz
- RAM: 256 MB
- Connector for Compact Flash
- 2×CAN 2.1B, 2×Ethernet 100 Mb, 4×RS-232, 3×RS-485, VGA, LVDS, PS/2, DIO, AUDIO/RELE GSM-850/900/1800/1900 MHz
- Operating temperature range: –50°C to + 50°C
- OS: FreeDOS (compatible with MS DOS 7.10), Linux 2.6.26
- IP20, for the enclosure
- EN50155 compliant

Overview

Monitoring and control unit BMK01 is a box PC designed for embedded applications, requiring high performance and low power consumption.

BMK01 – Rugged monitoring and control unit from Fastwel is fully configurable and can be customized according to the specific demands of your application.

Technical Specifications

System

- CPU: AMD Geode LX800, 500 MHz
- RAM: 256 MB
- Connector for Compact Flash drive, 2 GB
- NAND Flash

Supported OS

- FreeDOS (compatible with MS DOS 7.10)
- Linux 2.6.26

Interfaces

- CAN 2.1B: 2 channels
- Ethernet 100 Mb: 2 channels
- RS-232: 4 channels
- RS-485: 3 channels
- VGA
- LVDS
- PS/2
- DIO
- AUDIO/RELE GSM-850/900/1800/1900MHz

Mechanical

- Resistance to sinusoidal vibration: 1g, in the frequency range: 0,5–100 GHz
- Resistance to single shocks: 3g, duration of action: 2–20 ms
- Resistance to multiple shocks: 3g, duration of action: 1–3 ms
- Dimensions: 212×112×25 mm

Power

- External power supply: 43–160 V DC
- Maximum power consumption: no more than 15 W in operating mode. Maximum power consumption for external devices: no more than 2.5 W

Environmental

- Operating temperature range: –50°C to +50°C
- Storage temperature range: –50°C to +50°C
- Relative humidity 98% at the ambient temperature of +25°C

Dust-proof and damp-proof version

- Enclosure protection class: IP20

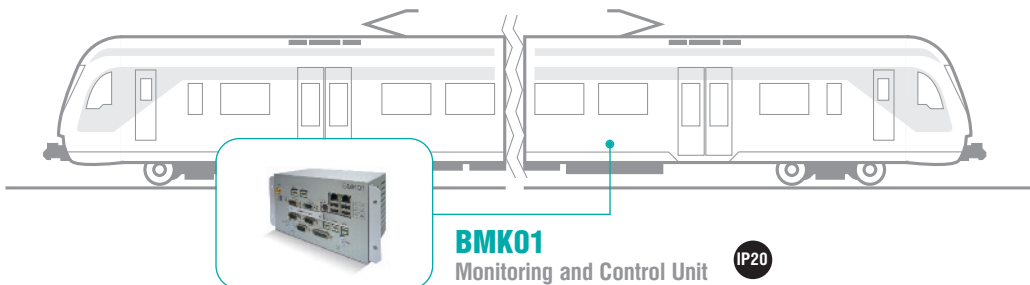
Weight

- No more than 2 kg

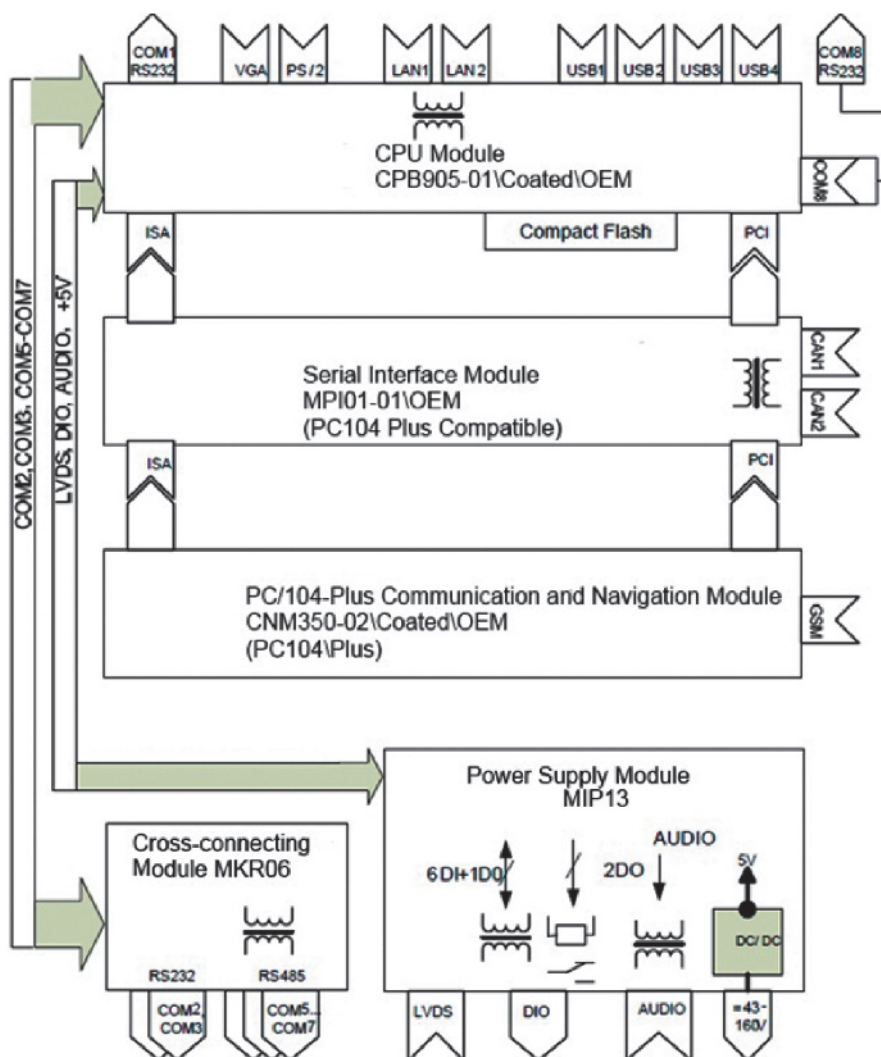
BMK01

Monitoring and Control Unit

Application



Block Diagram



BMK01

Monitoring and Control Unit

Ordering Information

BMK01 Configuration

BMK01

Versions

BMK01 Rugged monitoring and control unit based on CPU AMD Geode LX800, 2×CAN, 4×USB, 2×LAN, 4×RS-232, 3×RS-485, CF, VGA, LVDS, DIO, PS/2, AUDIO/RELE, GSM, 43–160 V

Delivery checklist:

1. BMK01 Monitoring and Control Unit
2. Installation kit.
3. Package

BMK01 – Rugged monitoring and control unit from Fastwel is fully configurable and can be customized according to the specific demands of your application.

Ver.1.12.2015

Product specifications are subject to change without notice

Corporate Offices

FASTWEL GROUP Co., Ltd

108 Profsoyuznaya str.
Moscow, Russia 117437
Tel: +7 (495) 232-1681
Fax: +7 (495) 232-1654
E-mail: info@fastwel.com
Web: www.fastwel.com

FASTWEL Corporation US

Fastwel Corporation US
6108 Avenida Encinas,
Suite B, Carlsbad,
CA 92011.
Phone: 858-488-3663
E-mail: info@fastwel.com



ISO 9001:2008
EC.D.0.02.01.000823-12

READY FOR



RoHS



Fastwel



Fastwel



Fastwel