

MK150

Modular Computer

Box PC — fully configurable and can be customized according to the specific demands of your application.



Features

- Compliance with PICMG 2.0 specification (32-bit / 33 MHz)
- AMD Geode LX 800 (500 MHz)
- 256 MB RAM
- CompactFlash (Type I, II) socket
- 1GB Internal Flash-disk
- VGA
- Two Fast Ethernet channels (10/100 Mbit)
- Discrete input/output: 24 channels
- 2×RS-232, 2×RS-422/485
- FDOS, Windows XPe, Linux 2.6, QNX 6.4x, QNX 4.25
- Shock/vibration: 50g/100g
- MTBF: 130 000
- Operating temperature range: -40°C...+70°C

Overview

The computer is based on MicroPC CPC150 processor module.

- Nonvolatile memory 128 KB.
- Power voltage 18-36V.
- MK150 has no moving parts.
- Operating temperature range: -40 to +70°C.
- Mounting on a DIN-rail or panel.

Technical Specifications

- **Processor: AMD Geode LX 800** (500 MHz)
- **RAM: 256 MB**
- **CompactFlash (Type I, II) socket**
- **Internal Flash-disk: 1 GB**
- **Nonvolatile memory: 128 KB**
- **VGA interface**
for connection of analog monitors; resolution up to 1600×1200 @85 Hz, 1920×1440 @75 Hz, 32 bit;
- **Four analog video input channels**
power supply to video cameras supported;
- **Two Fast Ethernet channels** (10/100 Mbit)
- **Discrete input/output:**
 - 24 channels;
 - Compatibility with TB24, TBI24xx, TBO24xx modules
- **Four USB 2.0 channels**
- **Two RS-232 ports**
 - Up to 115.2 Kbit/s
- **Two RS4-22/485 ports**
 - Galvanic isolation: 500 V;
 - Up to 921 Kbit/s
- **Audio: stereo line in/out**
- **PS/2 keyboard/mouse port**
- **Port for connection of Fastwel I/O input/output modules**
- **Supported operating systems:**
 - FDOS, FreeDOS;
 - Windows XPe;
 - Linux 2.6;
 - QNX 6.4x, QNX 4.25
- **Mounting on a DIN-rail or panel**
- **Dust and moisture protection: IP20**
- **Dimensions:**
 - 135×136×91 (DIN-rail mounting);
 - 165×131×83 (panel mounting)
- **Operating temperature range:**
 - -40°C to +70°C
- **MTBF:**
 - 130 000 hours
- **Single shock stability: 100 g**
- **Multiple shock stability: 50 g**
- **Power voltage: 18-36 V**
- **Power consumption: 12 W max** (without external devices)

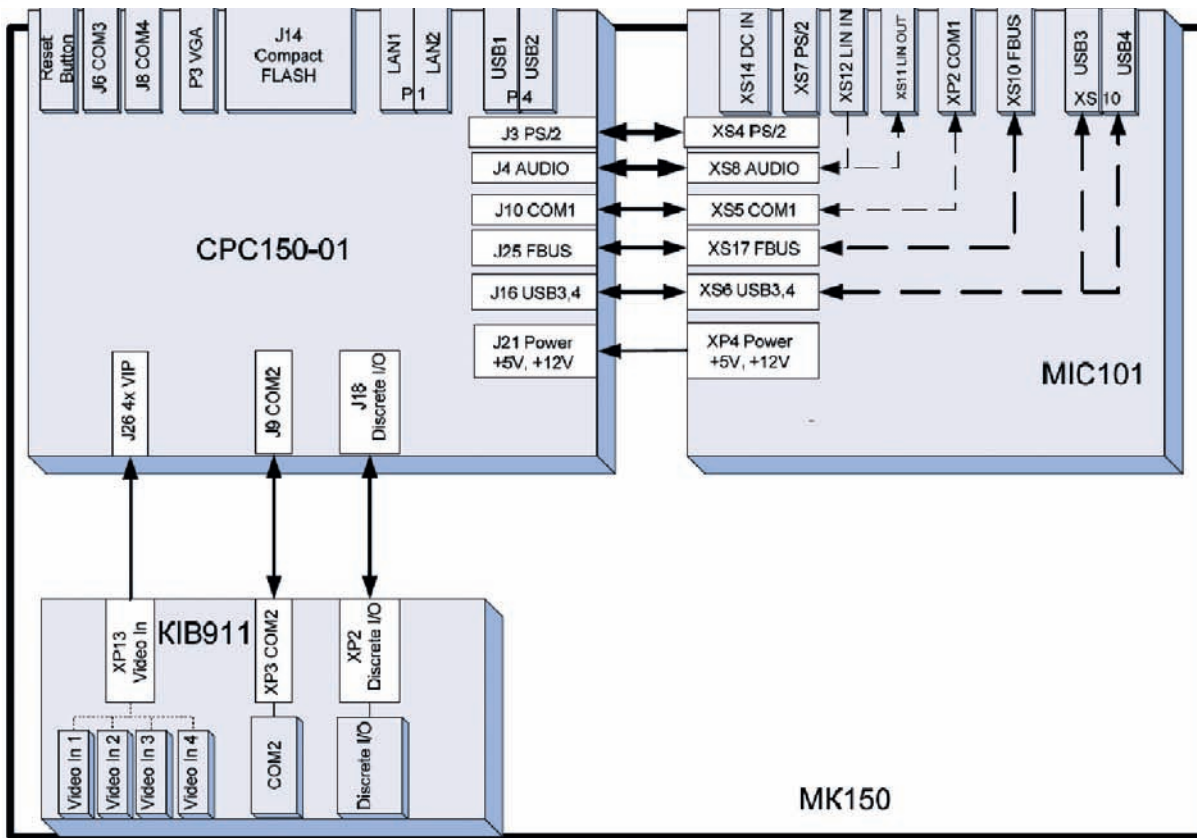


MK150

Modular Computer

Box PC – fully configurable and can be customized according to the specific demands of your application.

Block Diagram



Ordering Information

Delivery checklist:

1. MK150-01 modular computer;
2. Panel mounting parts set;
3. Set of sockets, contacts and terminal blocks;
3. Package

Corporate Offices

FASTWEL GROUP Co., Ltd
 108 Profsoyuznaya str.
 Moscow, Russia 117437
 Tel: +7 (495) 232-1681
 Fax: +7 (495) 232-1654
 E-mail: info@fastwel.com
 Web: www.fastwel.com

FASTWEL Corporation US
 55 Washington street, Suite 310
 Brooklyn, NY 11201
 Tel: 1.718.554.3686
 Fax: 1.718.797.0600
 Toll free: 1.877.787.8443
 (1.877.RURUGGED)
 E-mail: info@fastwel.com

FASTWEL Asia
 6F., No. 118, Ln.235, Baoqiao
 Rd., Xindian Dist,
 New Taipei City, Taiwan, R.O.C.
 Tel: +886-2-8912 1938
 Fax: +886-2-8912 1939
 E-mail: asia@fastwel.com



Ver. 1.01 2012
 Product specifications are subject to change without notice