

NIM552

3U CompactPCI Serial 4 x Gigabit Ethernet Interface Module



Features

- Form-factor: CompactPCI Serial 3U/4HP;
- System bus: PCIe x4 Gen2;
- LED indication of network connections;
- Power supply: power supply voltage: 12V +/- 10%;
- Weight: 250 g max for NIM552-01 / NIM552-03 and 350 g max for NIM552-02 / NIM552-04;
- Operating temperature range: from -40 to +85°C;
- Overall dimensions: max (130.6 ± 0.4) × (212.4 ± 1.6) × (21.3 ± 0.5) mm;
- Software compatibility: Windows 10, Linux Debian 10;
- MTBF: Min. 200,000 hours.

Overview

The NIM552 module is based on the CompactPCI Serial 3U/4HP form-factor and implements 4 x Gigabit Ethernet interfaces, routed to the front panel via the RJ45 or M12-X connectors. The interfaces are arranged by the Intel® Ethernet Controller i350. NIM552 versions with PoE (Power over Ethernet) support are available.

Technical Specifications

Form-factor

- CompactPCI Serial 3U/4HP

System Bus

- PCIe x4 Gen2

Front panel interfaces

- 4 x 10/100/1000BASE-T interfaces

Front panel connectors

- 4 x RJ45 for NIM552-01 and NIM552-02
- 4 x M12-X for NIM552-03 and NIM552-04

PoE support on all ports (only for NIM552-02 and NIM552-04)

- PSE (Power Sourcing Equipment) Type 2
- Support of up to 4 x PDs (Powered Device)
- Total power output – no more than 55 W*

LED indication of network connections

Power supply

- power supply voltage: 12V +/- 10%
- current consumption for NIM552-01 and NIM552-03: no more than 0.6 A
- current consumption for NIM552-02 and NIM552-04: no more than 6.6 A

Operating temperature range

- from -40 to +85°C

Resistance to external factors

- changes in ambient temperature from -40 to +85 °C at relative humidity up to 80%, non-condensing
- exposure to sinusoidal vibration of 2 g for the frequencies ranging from 10 to 150 Hz
- exposure to multiple shocks of 25 g and single shocks of 50 g

Resistance to cyclic damp heat

- in case of the conformal coating (for the /Coated option), in accordance with the GOST 28216 standard

Need for the forced cooling

- with a flow rate of at least 0.5 m/sec

Isolation requirements

- For NIM552-01, the Ethernet interfaces are isolated from each other and from the rest of the circuit: 1000 V AC RMS
- For NIM552-02, the Ethernet interfaces are not isolated from each other, but are isolated from the rest of the circuit: 1000 V AC RMS
- For NIM552-03, the Ethernet interfaces are isolated from each other and from the rest of the circuit: 500 V AC RMS
- For NIM552-04, the Ethernet interfaces are not isolated from each other, but are isolated from the rest of the circuit: 500 V AC RMS

Weight

- 250 g max for NIM552-01 and NIM552-03
- 350 g max for NIM552-02 and NIM552-04

Overall dimensions

- max (130.6 ± 0.4) × (212.4 ± 1.6) × (21.3 ± 0.5) mm

Software compatibility

- Windows 10
- Linux Debian 10

MTBF

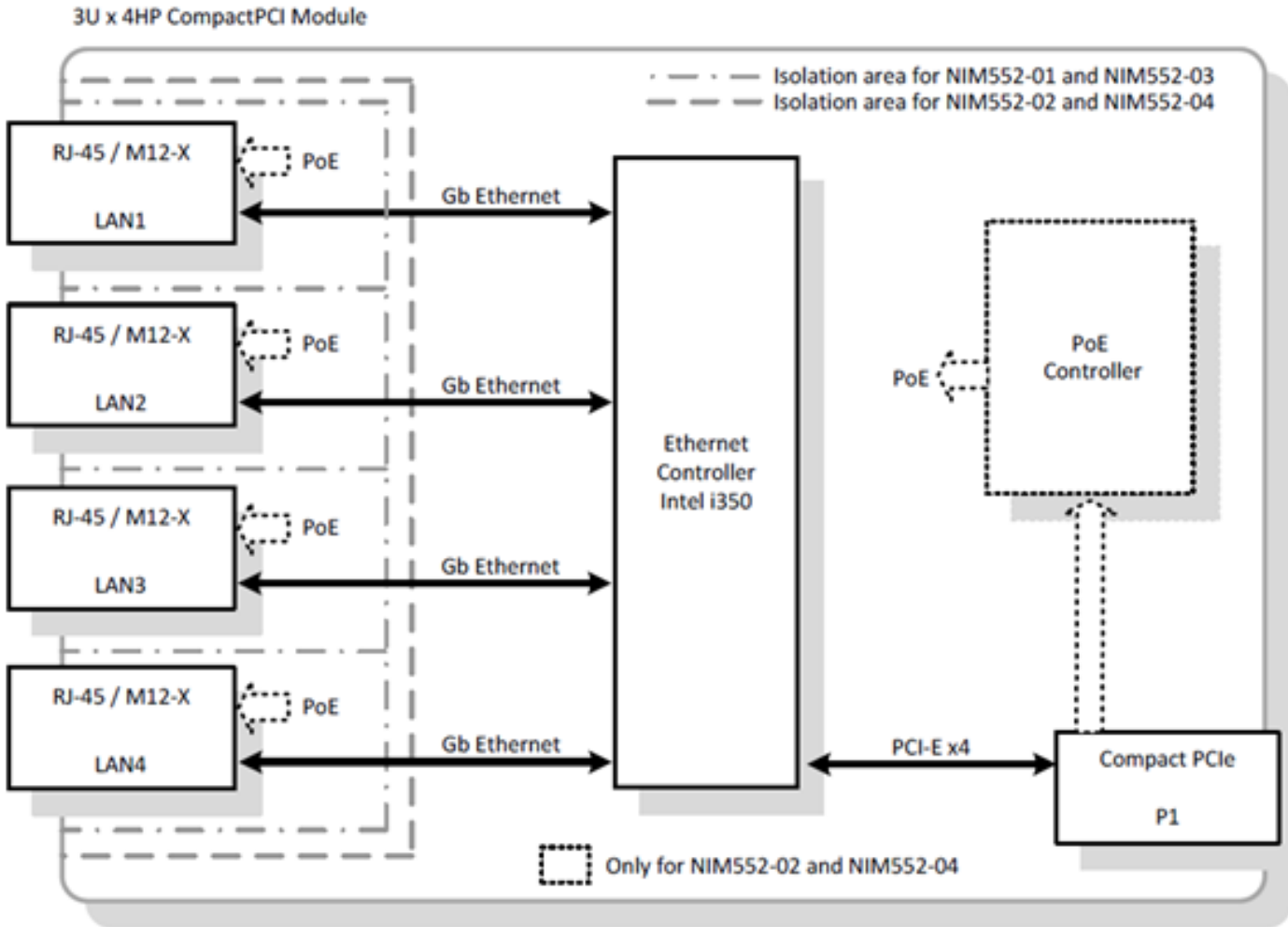
- Min. 200,000 hours

* At ambient temperatures above 70 °C, the total output power ensured may be reduced.

NIM552

3U CompactPCI Serial 4 x Gigabit Ethernet Interface Module

Connection Diagram



Fastwel



Fastwel



Fastwel

NIM552

3U CompactPCI Serial 4 x Gigabit Ethernet Interface Module

Ordering Information

NIM552 Configuration

NIM552 / Options

Configurations

- | | |
|------------------|---|
| NIM552-01 | 3U CompactPCI Serial 4 x Gigabit Ethernet Interface Module, 4 x RJ-45 connectors (Ethernet 10/100/1000BASE-T), conformal coating\Coated |
| NIM552-02 | 3U CompactPCI Serial 4 x Gigabit Ethernet Interface Module, 4 x RJ-45 connectors (Ethernet 10/100/1000BASE-T), PoE support (PSE Type 2, total output power no more than 55 W), conformal coating\Coated |
| NIM552-03 | 3U CompactPCI Serial 4 x Gigabit Ethernet Interface Module, 4 x M12-X connectors (Ethernet 10/100/1000BASE-T), conformal coating\Coated |
| NIM552-04 | 3U CompactPCI Serial 4 x Gigabit Ethernet Interface Module, 4 x M12-X connectors (Ethernet 10/100/1000BASE-T), PoE support (PSE Type 2, total output power no more than 55 W), conformal coating\Coated |

Delivery checklist

NIM552 delivery checklist contains:

1. NIM552 3U CompactPCI Serial 4 x Gigabit Ethernet Interface Module
2. Packaging.

Ver. 1.07.2021

Product specifications are subject to change without notice

Corporate Offices

FASTWEL GROUP Co. Ltd

108 Profsoyuznaya str.
Moscow, Russia 117437
Tel: +7 (495) 232 1681
Fax: +7 (495) 232 1654
E mail: info@fastwel.com
Web: www.fastwel.com



READY FOR



Fastwel



Fastwel



Fastwel