

ER-6101 (Advantix - powered by Fastwel) High-Performance Fanless Embedded Computer



Features

- CPU: Intel Pentium/Core-i3/Core-i5/Core-i7, 6th generation;
- Chipset: Intel® Q170;
- RAM: 4 – 32GB, 2 x DDR4 SO-DIMM, non ECC, 1/2-channel;
- GPU: integrated Intel HD Graphics 510, Dual Head support;
- Network: 2 x Ethernet 10/100/1000 controllers, Intel® I211 and I219-L;
- Expansion slots: 1 x Mini PCIe, full size (if mSATA disk is not installed);
- Operating temperature range: from +5°C to +40°C;
- Power supply: 24V DC;
- OS compatibility: Microsoft Windows 7, 10;

Overview

ER6101 (Advantix – powered by Fastwel) is an embedded high-performance fanless computer, characterized by compact size and is based on the Q170 chipset and Intel 6th generation CPUs. The device has several mounting options (wall-mounting, DIN-rail mounting).

Technical Specifications

CPU

- Intel Pentium/Core-i3/Core-i5/Core-i7, 6th generation;

RAM

- 4 – 32GB, 2 x DDR4 SO-DIMM, non ECC, single- or two-channel;

Chipset

- Intel® Q170;

Video subsystem

- integrated Intel HD Graphics 510, Dual Head support;

Expansion slots

- 1 x Mini PCIe, full size (if mSATA disk is not installed);

Disk subsystem

- 1 x external bay for 2.5" HDD/SSD SATA;
- 1 x mSATA (if Mini PCIe card is not installed);

Network

- Two Ethernet 10/100/1000 controllers, Intel® I211 and I219-LM;

Audio

- Two-channel, HD Audio;

Ports

- 2 x USB 2.0;
- 4 x USB 3.0;
- 1 x DVI-I, 1 x DP;
- 2 x LAN (RJ-45);
- 2 x COM (1xRS232 and 1xRS232/422/485);
- Audio Out;

Cooling

- Convection, passive;

Power supply

- 24V DC;

Operating temperature range:

- from +5°C to +40°C;

Dimensions

- 275 (D) * 140 (W) * 70 (H);

Weight

- 5 kg;

Version design

- Desktop or wall-mounting (fasteners are included in the set);

Color

- Silver;

OS compatibility

- Microsoft Windows 7;
- Microsoft Windows 10;

Warranty

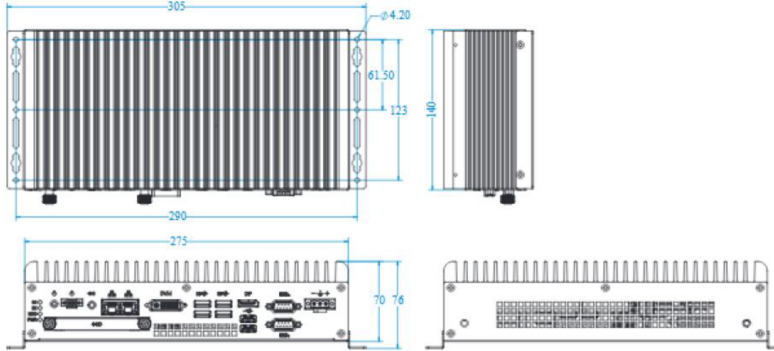
- 2 years;



ER-6101 (Advantix - powered by Fastwel) High-Performance Fanless Embedded Computer

Layout

ER-6101 (Advantix – powered by Fastwel) Dimensions:



Wall-mounting using bottom



Wall-mounting with its face against the wall



DIN-rail mounting



ER-6101 (Advantix - powered by Fastwel) High-Performance Fanless Embedded Computer

Ordering information

ER-6101 (Advantix - powered by Fastwel) Configuration

ER-6101 \ Options

Configurations

ER-6101	Fanless Embedded Computer / Pentium G4400TE 2,4 GHz/ 4GB DDR4 / 120GB SSD / Power supply unit / Wall-fixing brackets;
---------	---

Delivery checklist

ER-6101 (Advantix - powered by Fastwel) delivery checklist contains:

1. ER-6101 (Advantix - powered by Fastwel) High-Performance Fanless Embedded Computer
2. Packaging.

Ver.1.04.2020

Product specifications are subject to change without notice

Corporate offices

FASTWEL GROUP Co., Ltd

108 Profsoyuznaya str.
Moscow, Russia 117437
Tel: +7 (495) 232-1681
Fax: +7 (495) 232-1654
E-mail: info@fastwel.com
Web: www.fastwel.com



Fastwel



Fastwel



Fastwel