

PPC-12FN2 (Advantix - powered by Fastwel)

Intel® Pentium® N4200 Fanless Low-Power 12" Panel PC



Features

- CPU: Intel® Pentium® N4200/Intel® Celeron® N3350 (option);
- RAM: 4GB (soldered), 8GB in total, non ECC;
- Protection: IP66;
- Audio: 2-channel, Realtek® HD Audio;
- Screen: 12", resolution 800 x 600, luminance: 450 cd/m² (1000 – option), contrast ratio: 1500:1 (700:1 for 1000 cd/m²);
- Network: 2 x Ethernet 10/100/1000 Intel® controllers, each on the PCI-E x1 bus;
- Op. temperature: +5°C~+50°C (w/SSD), +5°C~+40°C (w/HDD);
- Power supply: 9-36V DC;
- OS compatibility: Microsoft Windows 10, Linux;

Overview

PPC-12FN2 (Advantix – powered by Fastwel) Intel® Pentium® N4200 Fanless Panel PC is equipped with 12" screen with resolution of 800x600 and is characterized by a stylish thin industrial design and low power consumption.

Technical Specifications

CPU

- Intel® Pentium® N4200 (4 x cores, 1.1GHz/2.5GHz turbo) – by default;
- Intel® Celeron® N3350 (2 x cores, 1.1GHz/2.4GHz turbo) – as option;

RAM

- 4GB (soldered), up to 8GB in total, via the DDR3L-1666/1866 module, non ECC;

Screen

- 12", resolution 800 x 600, with resistive touchscreen (capacitive as option); luminance: 450 cd/m² (1000 – option), contrast ratio;

Expansion slots

- 1 x Mini-PCIe internal slot (Full-sized);
- 1 x SIM Card holder (no modem) / Micro SD card reader;

Disk subsystem

- 1 x bay for 2.5" HDD/SSD SATA, easy access from the rear panel;

Network

- 2 x Ethernet 10/100/1000 Intel® controllers, each on the PCI-E x1 bus;

Audio

- 2-channel, Realtek® HD Audio;

Ports

Standard:

- 2 x USB 3.0 type A;
 - 2 x LAN (RJ-45);
 - 2 x COM (COM1: RS-232/422, RS485 DB9 / COM2: RS232 DB9);
 - 1 x Audio Line Out;
- There are other additional expansion options (see below);

Watchdog

- programmable;

Power supply

- 9-36V DC, 1 x 2-pin connector for remote activation/deactivation;

Cooling

- Convection, passive;

Operating temperature range

- from +5°C to +50°C (with SSD), from +5°C to +40°C (with HDD);

Storage temperature

- from -20°C to +60°C;

Dimensions

- 51,7 (D) * 319 (W) * 295 (H);

Weight

- 4.5 kg;

Version design

- Aluminum housing, connector for VESA mount 100x100;

Protection

- IP66 for the front panel, IP20 for the rear panel;

OS compatibility

- Microsoft Windows 10;
- Linux;

Delivery checklist

- Phoenix female connector, panel mounting kit, kit for mounting to the 19" rack (option), power supply unit;

Warranty

- 2 years;



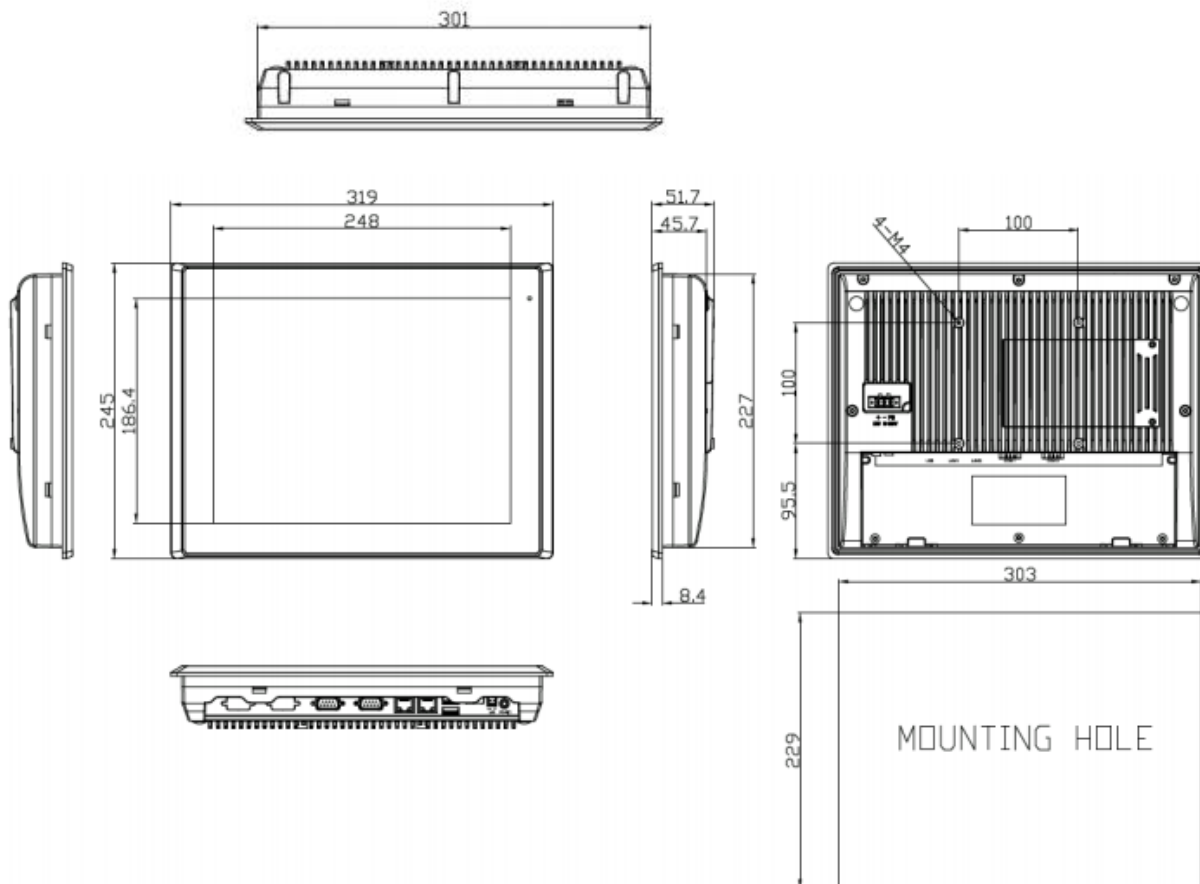
PPC-12FN2 (Advantix - powered by Fastwel) Intel® Pentium® N4200 Fanless Low-Power 12” Panel PC

Layout

PPC-12FN2 (Advantix - powered by Fastwel)



Rear view



PPC-12FN2 (Advantix - powered by Fastwel) Intel® Pentium® N4200 Fanless Low-Power 12” Panel PC

Ordering information

PPC-12FN2 (Advantix - powered by Fastwel) Configuration

PPC-12FN2 \Options

Configurations

PPC-12FN2	Fanless Panel PC 12" LCD/Resistive Touch/Pentium N4200 (1.1 GHz) / 4GB / 120GB SSD / 2xLAN / 2xCOM / 2xUSB / power supply unit, +5...+40;
PPC-12FN2-xxx / PPC-XXXXXXXX	Fanless Panel PC in custom configuration.

Expansion options

- Option 1 - 2 x RS-232 DB9;
- Option 2 - 2 x RS-232/422/RS485 DB9;
- Option 3 - 2 x CAN bus DB9;
- Option 4 - 2 x USB 2.0 type A, 1 x RS-232 DB9;
- Option 5 – Battery 21W / 10.8W / 1.95Ah (not combined with the options above);
- Option 6 – Front panel for mounting to the 19" rack;

Delivery checklist

PPC-12FN2 (Advantix - powered by Fastwel) delivery checklist contains:

1. PPC-12FN2 (Advantix – powered by Fastwel) Fanless 12" Panel PC
2. Phoenix female connector, panel mounting kit, kit for mounting to the 19" rack (option), power supply unit
3. Packaging.

Corporate offices

FASTWEL GROUP Co., Ltd

108 Profsoyuznaya str.
Moscow, Russia 117437
Tel: +7 (495) 232-1681
Fax: +7 (495) 232-1654
E-mail: info@fastwel.com
Web: www.fastwel.com

Ver.1.05.2020

Product specifications are subject to change without notice



Fastwel



Fastwel



Fastwel