

KIC301

Interface Module



Features

- PCI-104 connector
- Connector for Mini PCIe card
- RS-232/485/482
- Switching between 1-wire and RS-232/485/422 is performed via board jumper
- Operating temperature range: -40°C to $+85^{\circ}\text{C}$
- OS: WinXP Embedded, Linux 2.6
- IP20, for the enclosure

Overview

KIC301 is implemented in StackPC-PCI format and is meant for joint use with the CPU module, supporting StackPC/PCI. The module is designed for extension of its basic functions and is used for the systems operated under harsh conditions.

The module is equipped with two Mini PCI Express slots for installation of additional communication equipment.

Technical Specifications

Interfaces

- PCI-104
 - According to the specification requirements, the board has installed PCI-104 connector designed for the further extension of functionalities
- RS-232/485/482
 - Independent selection of active interface on each of the ports
 - 2x interface ports are routed to IDC2-10 connectors
 - Insulation 500 W
- 1-wire
 - Switching between 1-wire and RS-232/485/422 is made via board jumper
- SATA interface
 - Transfer rate is determined by CPU module
 - 7xpin connector for a drive with SATADOM form-factor support
 - SATA channel can be switched from the module to stack
- Connector for Mini PCIe card
 - Installation of peripheral devices in mini PCI-Express card form-factor (rev. 1.2 compliant)
 - Signals of WLAN#, WPAN#, WWAN# LEDs are routed to a separate connector of the board
 - SIM-cards can use external connectors and can be installed into board slots;
 - Using jumper makes it possible to switch Mini PCIe ports not used by USB-device into the stack

Supported OS

- WinXP Embedded
- Linux 2.6

Mechanical

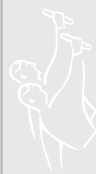
- Resistance to multiple shocks: 50g
- Resistance to vibration: 25g
- Dimensions: 96,1×90,4×22,2 mm
- MTBF: 100 000 hours

Power

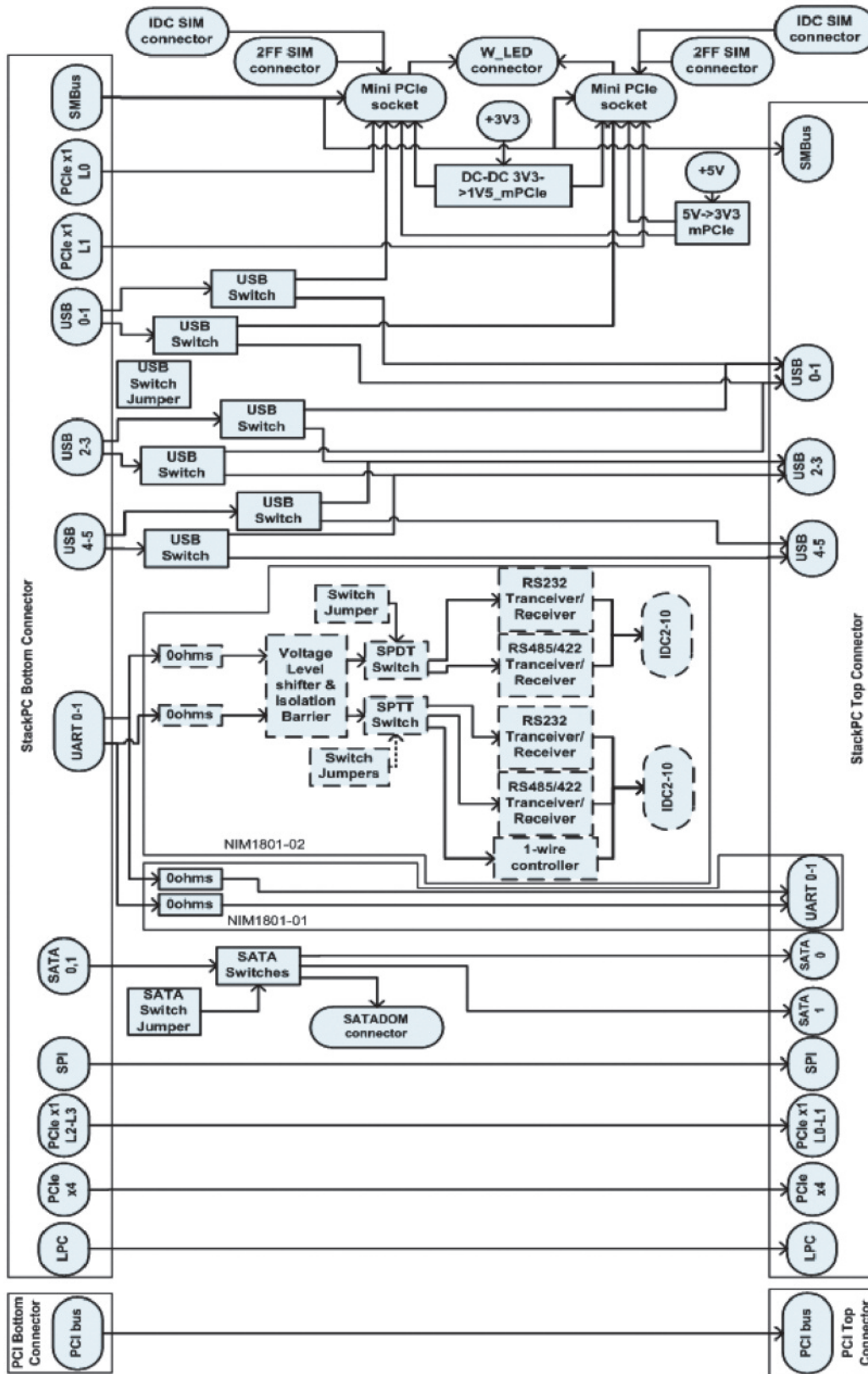
- Supply voltage: +5 V
(rated consumption – 4.2 A, peak consumption: – 7 A, taking into account the maximum rated consumption of two Mini PCI-Express modules)
- Internal power consumption is no more than 1W
- Internal power consumption within the circuit: +5 W, no more than 0.2 A

Environmental

- Operating temperature range: -40°C to $+85^{\circ}\text{C}$



Board Layout



KIC301

Interface Module

Ordering Information

KIC301 Configuration

KIC301 - 01

Versions

KIC301-01	2×mPCI-E, 2×USB 2.0 (switchable)
KIC301-02	2×mPCI-E, 2×USB 2.0 (switchable), 2×RS-485/422, 2×RS-232, 1×1-Wire

Delivery checklist:

1. KIC301 Interface Module
2. Package

Options

Conformal coating

Ver.1.12.2015

Product specifications are subject to change without notice

Corporate Offices

FASTWEL GROUP Co., Ltd

108 Profsoyuznaya str.
Moscow, Russia 117437
Tel: +7 (495) 232-1681
Fax: +7 (495) 232-1654
E-mail: info@fastwel.com
Web: www.fastwel.com

FASTWEL Corporation US

Fastwel Corporation US
6108 Avenida Encinas,
Suite B, Carlsbad,
CA 92011.
Phone: 858-488-3663
E-mail: info@fastwel.com



ISO 9001:2008
EC.C.0.02.01.000823-12

READY FOR



RoHS



Fastwel



Fastwel



Fastwel